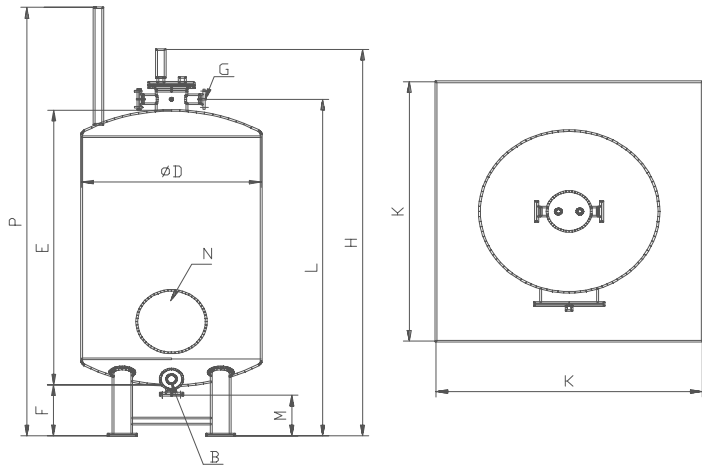


BI Series Activated Carbon Vessels



		BI	BI	BI	BI	BI	BI
		25	50	120	180	250	500
Wet and Filled Weight (t)		3.2	5.9	14.0	23.3	30.8	62.1
Empty Weight [t]		0.6	0.8	2.0	5.3	5.8	6.6
Filling Volume [m³]		2.5	5.0	12.0	18.0	25.0	50.0
Internal volume [m³]		2.64	5.04	12	18	25	55.5
vMax [m³/h]		10	20	48	72	100	200
Normal Operating Pressure [bar]		2	2	2	2	2	2
Maximum Operating Temperature [°C]		40	40	40	40	50	40
B	Carbon Outlet Pipe DN	80	80	?	?	?	100
D	Diameter	1200	1600	2000	2500	2500	2900
E	Vessel height	2505	2720	-	-	-	8400
F	Height of bottom of vessel	500	500	-	-	-	1050
G	Inlet Pipe	80	80	?	?	?	250
H	Max Height inc. Air relief valve	3800	4000	6700	7500	8900	10400
K	Required floor length	1600	2000	2400	3000	3000	3500
L	Height of water inlet	3115	3330	6100	6865	8265	9945
M	Height of water outlet	500	500	500	500	500	600
N	Manhole	400	400	970	1100	1100	880
P	Total Height inc. Anti-syphon pipe	-	4020	7040	7900	9190	10400